

Murphy Brushless Alternators Power Supply

Murphy Ignition Systems are optimized with power supplies utilizing Murphy high-quality brushless alternators. Designed for long-lasting durability with no moving electrical components these devices are ideal for all industrial applications and are certified for hazardous duty locations and field proven.

Features

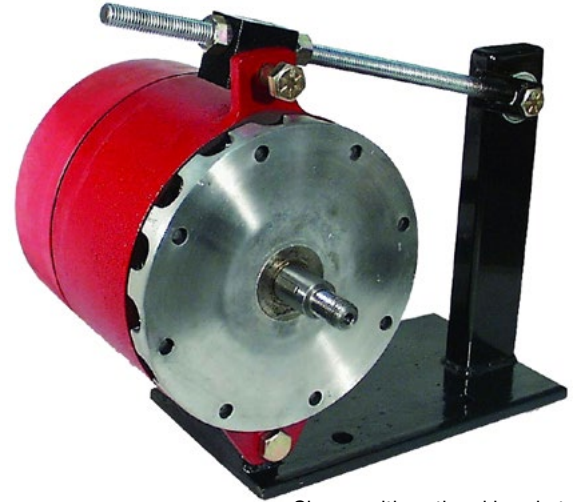
- No brushes, no brush springs
- One moving part, no moving electrical parts
- One-piece bearing housing, 4.5 or 9.5 inch brackets available
- Permanent bearing alignment
- Oversize lubrication reservoir
- Glass Filled TFE Fluorocarbon Seal (Teflon)
- Air-cooled 7.3" diameter advanced design

Benefits

- Strong, compact reliable power
- Exceptional bearing life
- Simple inspection and maintenance procedures
- 24-VDC, rated to 80 amp, 5,000 rpm CSA approval rated to 60 amp, 3,600 rpm
- Bi-directional rotation

Specifications

Rated Amperes: 80
RPM @ Rated Amperes: 5000
Preset Volt Range: 25.5-30
Full Load Voltage @ 28.0 Preset: 27.5
Field Amperes: 4.5 Typical
Rotation: Bi-Directional
Shaft Diameter (Pulley): 7/8 inch nominal
Voltage Regulator: Integral - Adjustable - Self Exciting
Wiring Connections: B+, B-, Ground
Rectifier Diode Construction: Individually Replaceable
Rectifier, Rated Capacity: 225 Amperes
 *CSA International Certification 60 Amperes @ 3600 RPM

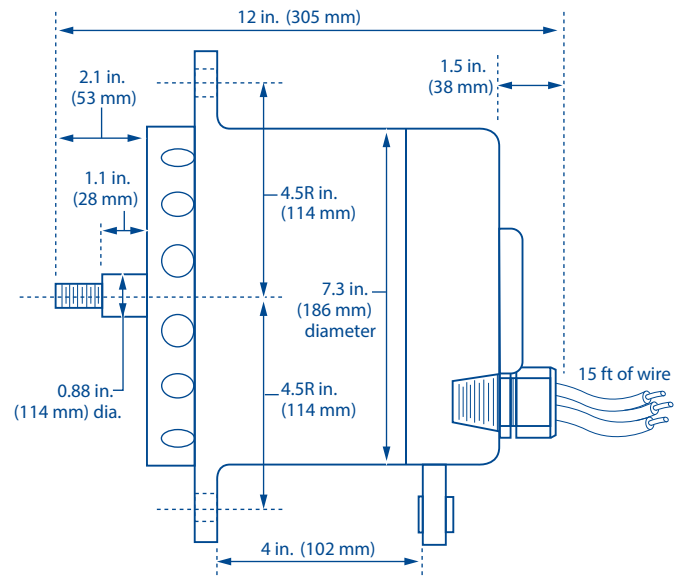


Shown with optional bracket

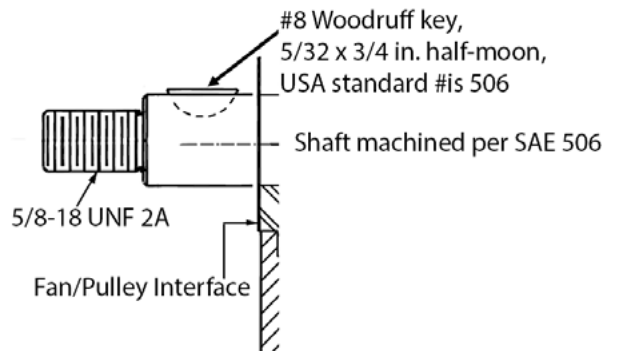


Dimensions

7.3 inch Diameter Model 102499-HZ24



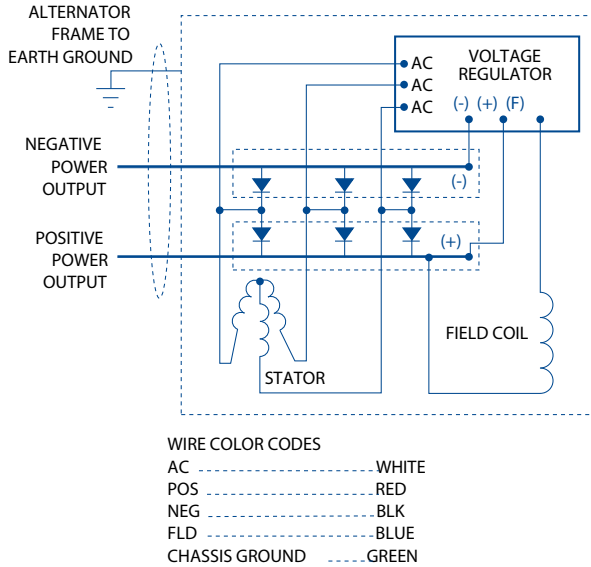
Alternator Shaft and Woodruff Key



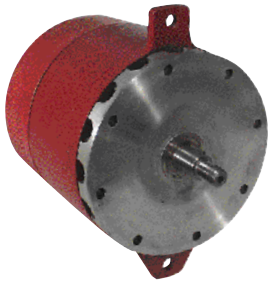
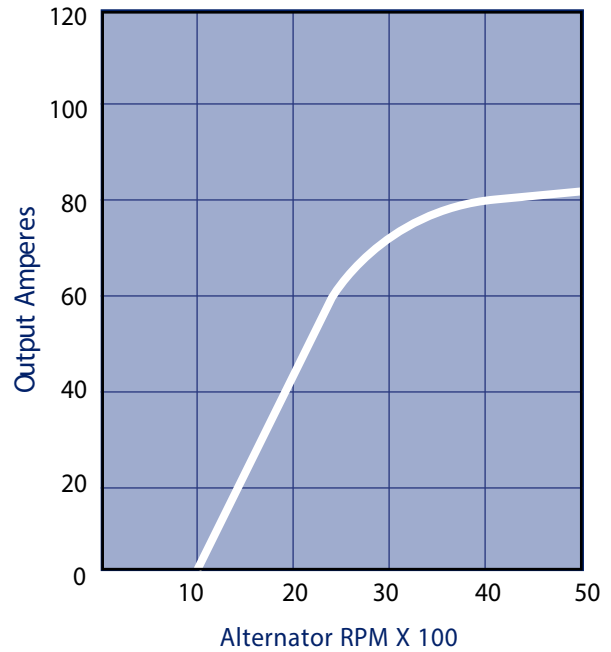
Brushless Alternators

Wiring Diagram

For 7.3 inch diameter, single ended, 80 amp alternator to self-excited voltage regulator, all voltages.
For use in Class I, Div. 2, Hazardous Areas.



Output Amperes at RPM Ranges



How to Order

Part Number	Model and Description	Notes
72700161	102499-HZ24, 7.3 inch diameter, air-cooled, belt or direct driven	24 Volt
72700092	Alternator bracket, 4 1/2 in. universal mounting	
72700093	Alternator bracket, 9 1/2 in. universal mounting	